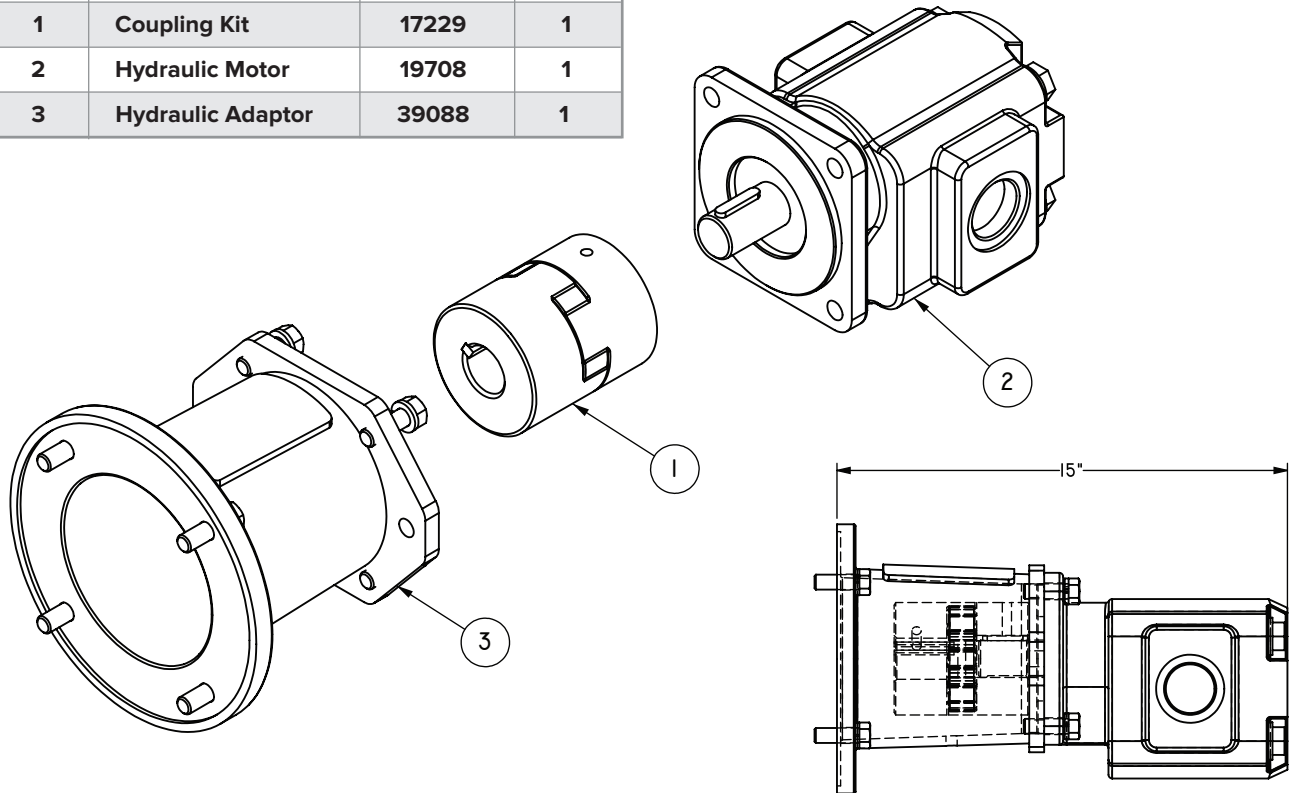


# Hydraulic Kit

TITAN, SIDEWINDER,  
HYDRA & COBRA

## Exploded View

No.	Description	Code	Qty
1	Coupling Kit	17229	1
2	Hydraulic Motor	19708	1
3	Hydraulic Adaptor	39088	1



## Installation and Operating Instructions

- ▶ Use longer bolts to mount Hydraulic Adaptor to Pump
- ▶ Torque mounting bolts to 40 Ft. Lbs
- ▶ Torque Coupler Set Screws to 25 Ft. Lbs
- ▶ Mounting Face SAE C

Pump	Hydraulic Kit	Pump RPM	Flow Rate	Port Size
TITAN	17914	1,250	33.0 GPM @ 2,500 PSI	1 1/4" O-RING BOSS (SAE 20)
SIDEWINDER	17914	1,250	33.0 GPM @ 2,500 PSI	1 1/4" O-RING BOSS (SAE 20)
HYDRA	17914	1,250	33.0 GPM @ 2,500 PSI	1 1/4" O-RING BOSS (SAE 20)
COBRA	17914	1,400	37.0 GPM @ 2,500 PSI	1 1/4" O-RING BOSS (SAE 20)

