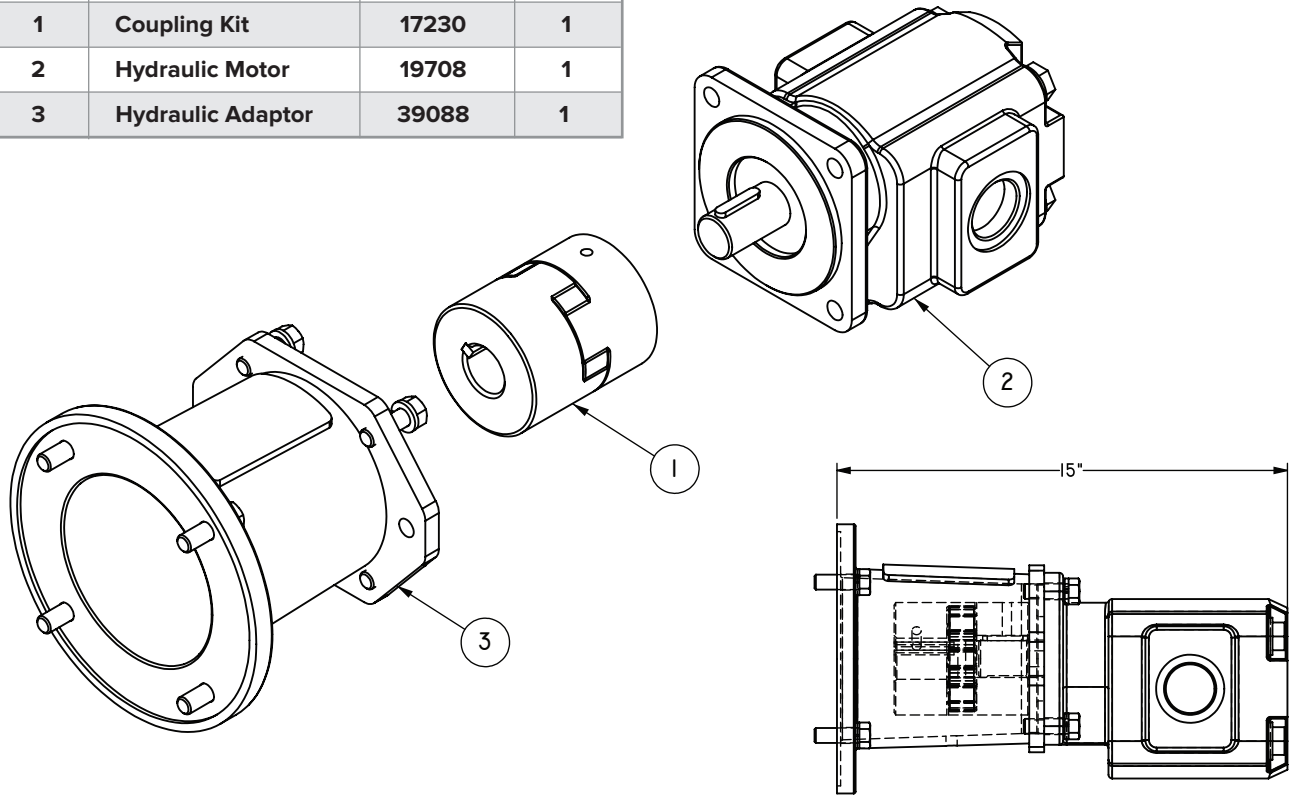


# Hydraulic Kit

## HXL75/HXL400/VIPER

### Exploded View

No.	Description	Code	Qty
1	Coupling Kit	17230	1
2	Hydraulic Motor	19708	1
3	Hydraulic Adaptor	39088	1



### Installation and Operating Instructions

- ▶ Use longer bolts to mount Hydraulic Adaptor to Pump
- ▶ Torque mounting bolts to 40 Ft. Lbs
- ▶ Torque Coupler Set Screws to 25 Ft. Lbs
- ▶ Mounting Face SAE C

Pump	Hydraulic Kit	Pump RPM	Flow Rate	Port Size
HXL75	17913	1,100	29.3 GPM @ 2,500 PSI	1 1/4" O-RING BOSS (SAE 20)
HXL400	17913	1,100	29.3 GPM @ 2,500 PSI	1 1/4" O-RING BOSS (SAE 20)
VIPER	17913	1,100	29.3 GPM @ 2,500 PSI	1 1/4" O-RING BOSS (SAE 20)

