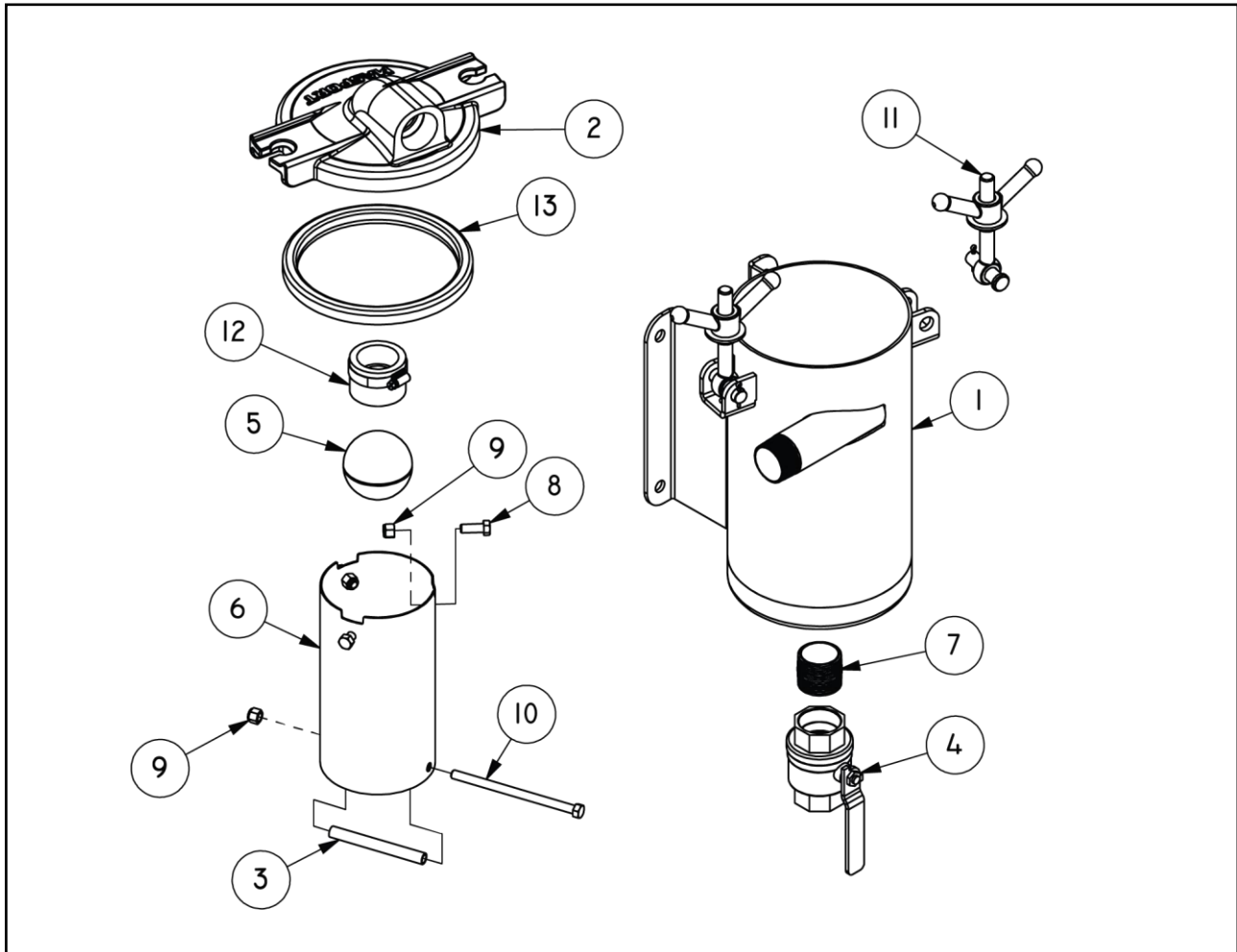


Exploded View – 1 1/2” & 3”:



Ref	Description	1 1/2" NPT	3" NPT	3" BSP
1	Secondary Body	N/A	N/A	N/A
2	Secondary Lid	18577	18582	18583
3	Tubing	24291	24291	24291
4	Ball Valve	25155	25155	25155
5	Float Ball	28005	28003	28003
6	Secondary Cage	28213	28216	28216
7	Close Nipple	30033	30033	30033
8	Bolt	32265	11053	11053
9	Nut	32287	503104	503104
10	Bolt	32328	503110	503110
11	Wingnut Assembly	32608	32608	32608
12	Float Seat	36113	36107	36107
13	Gasket	36516	36518	36518