

Oil Reservoir Kit

MASPORT
VACUUM PUMP SYSTEMS

For All Pumps

Masport has extended its range of pump accessories, and now offers its Oil Reservoir Kit in Steel.

This new Reservoir Kit uses a Steel tank that is more durable and larger capacity in design. This helps to ensure oil is being delivered to the pump, ultimately giving you peace of mind.

Masport quality and performance

- ▶ Powder-coated steel tank
- ▶ 5.25 quart reservoir capacity
- ▶ Durable brass fittings
- ▶ Vented steel oil reservoir cap
- ▶ Includes in-line oil filter with 8' of oil line
- ▶ Easy to read oil level indicator
- ▶ Fits the standard oil reservoir bolt pattern
- ▶ One year performance warranty



Oil Reservoir Kit

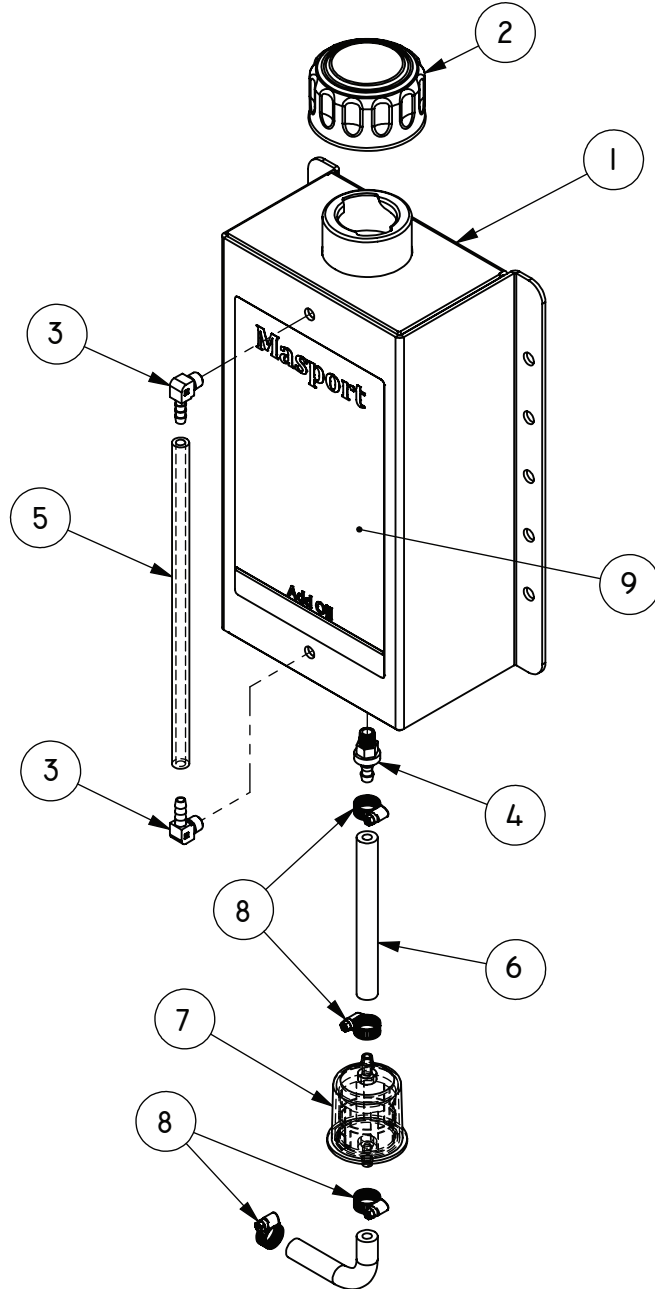
For All Pumps



BUILT FOR THE HARD WORKING PUMPER

Oil Reservoir Kit

Instructions



No.	Description	Code	Qty
1	Lubricator Tank	18050	1
2	Tank Cap	36164	1
3	Elbow 1/8" Hosebarb	27051	2
4	Pushlock 1/4" Hose	27003	1
5	Tubing PVC 1/4"	24294	1
6	Hose 1/4"	24299	1
7	Inline Oil Filter	26006	1
8	Hose Clamp	24310	4
9	Sticker	39058	1

