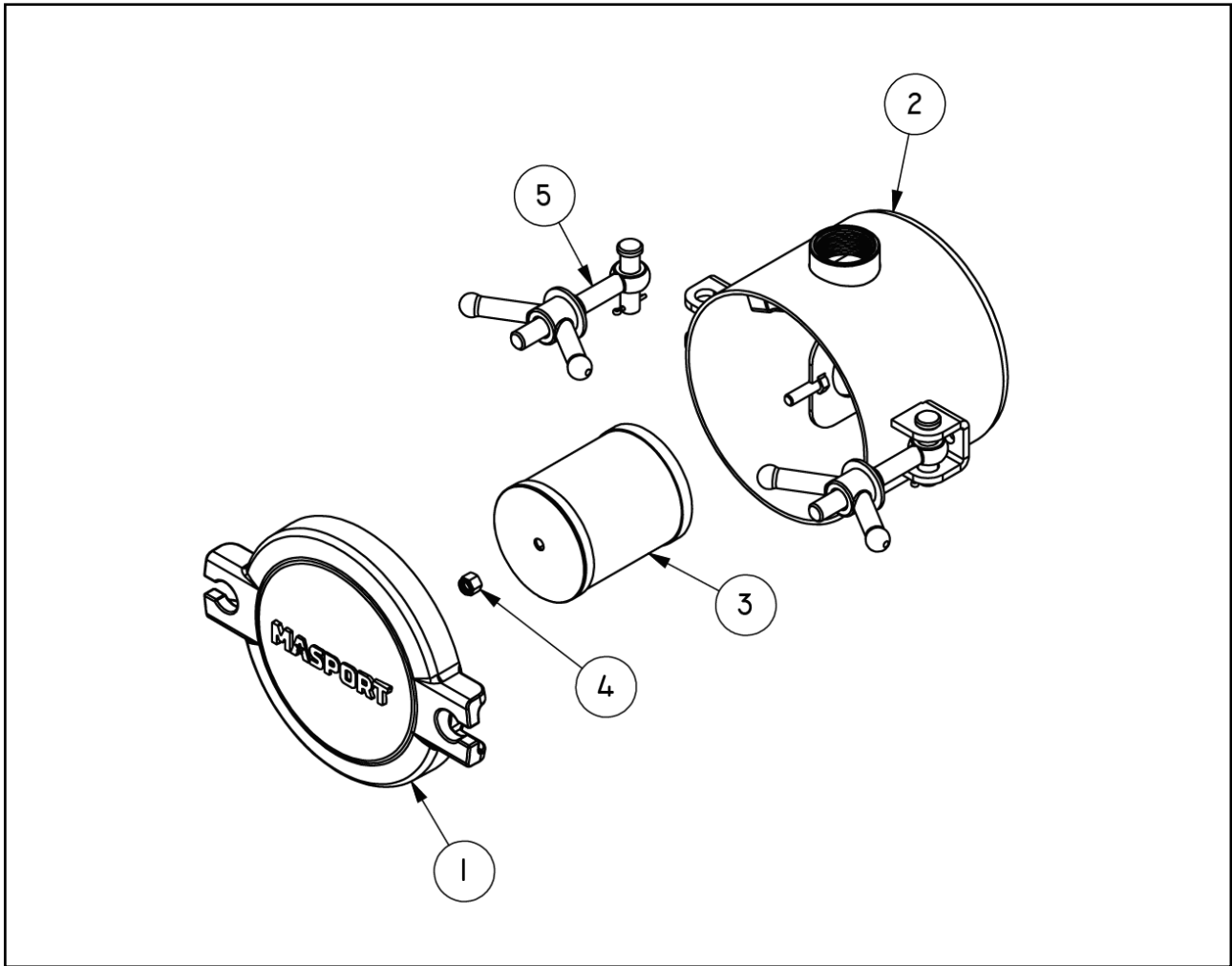


Exploded View:



Ref	Description	1 1/2"	3" NPT	3" BSP
1	Filter Lid	18183	18183	18183
2	Filter Body	N/A	N/A	N/A
3	Filter Element	26130	26130	26130
4	Nut 1/2"	32005	32005	32005
5	Wingnut Assy	32608	32608	32608