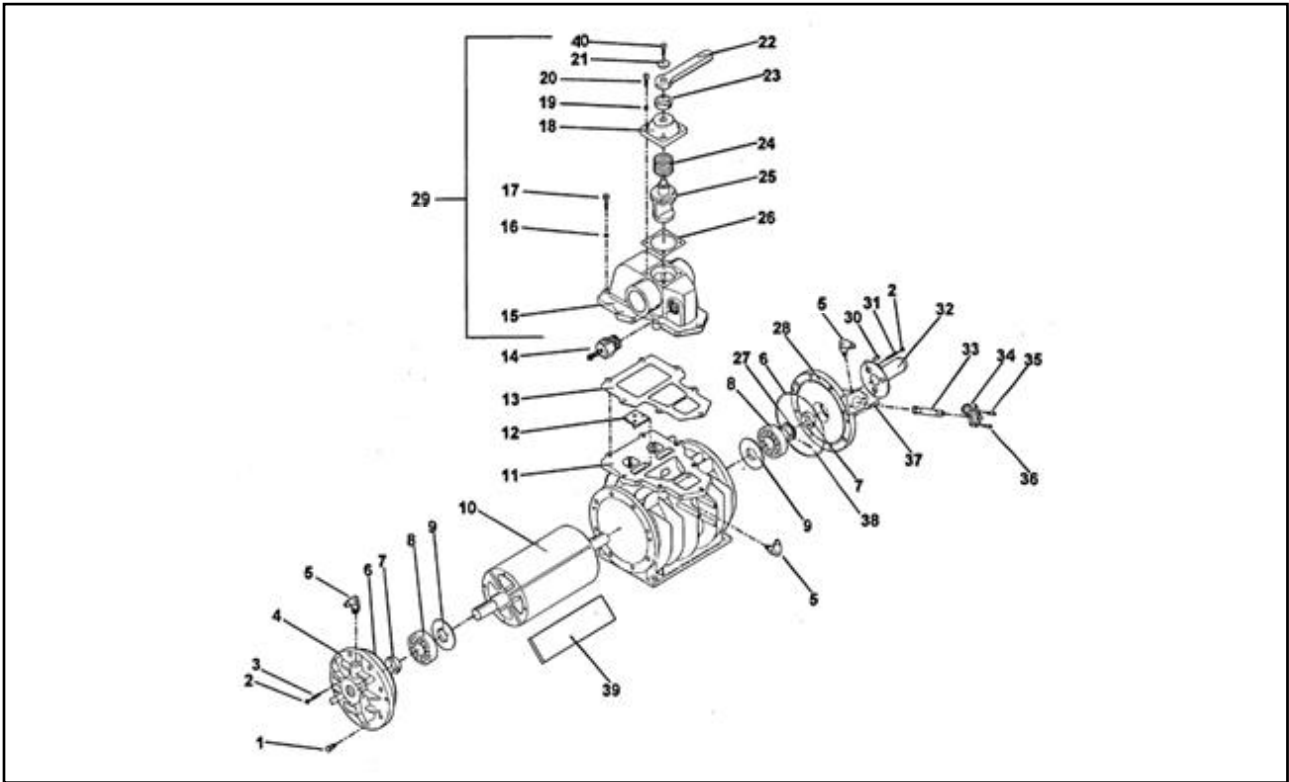


HXL15V:



Item	Description	Part No.	Qty
1	Screw M10 x 25	501569	16
2	Nut M12	504278	6
3	Grub Screw M8 x35	504276	3
4	End Cover	968843	1
5	Elbow Swivel 1/4" **	568086	4
6	O-Ring	501677	2
7	Seal	501015	2
8	Bearing	503098	2
9	Spacer	968611	2
10	Rotor Assembly	968848	1
11	Cylinder	968881	1
12	Flap Assembly	968026	2
13	Valve Gasket	568884	1
14	Vacuum Relief Valve	569023	1
15	Valve Body	968883	1
16	Lockwasher M12	500203	7
17	Screw M12 x 35	501666	7
18	Valve Cap	968035	1
19	Lockwasher M8	501610	4
20	Screw M8 x 25	501617	4
21	Indicator Washer	569724	1

Item	Description	Part No.	Qty
22	Valve Handle	968037	1
23	Seal	501015	1
24	Valve Spring	568038	1
25	Valve Spool	968804	1
26	Valve Cap Gasket	568044	1
27	Gear Worm	568158	1
28	End Cover Oil Pump	968854	1
29	Valve Assembly	968887	1
30	Screw M8 x 16	501571	3
31	Grub Screw M8 x35	504276	3
32	Shaft Guard	568622	1
33	Drive Shaft Assembly	968045	1
34	Oil Pump	568437	1
35	Screw M5 x 16	504262	1
36	Screw M5 x 25	504261	1
37	Dowel Pin	503258	4
38	Screw M5 x 6	504264	1
39	Vane Pack	968218	1
40	Screw M10 x 25	501569	1
41	Shim Gasket 0.002" 0.003"	542011 542012	* *
42	Oil Line (Not Shown)	600293	1

* Quantity may vary pump to pump

** Pre-Serial Number PS0585: Item 5 was 3 x 568086 - Elbow Swivel 1/4" & 1 x 568085 - Elbow Swivel 1/8"