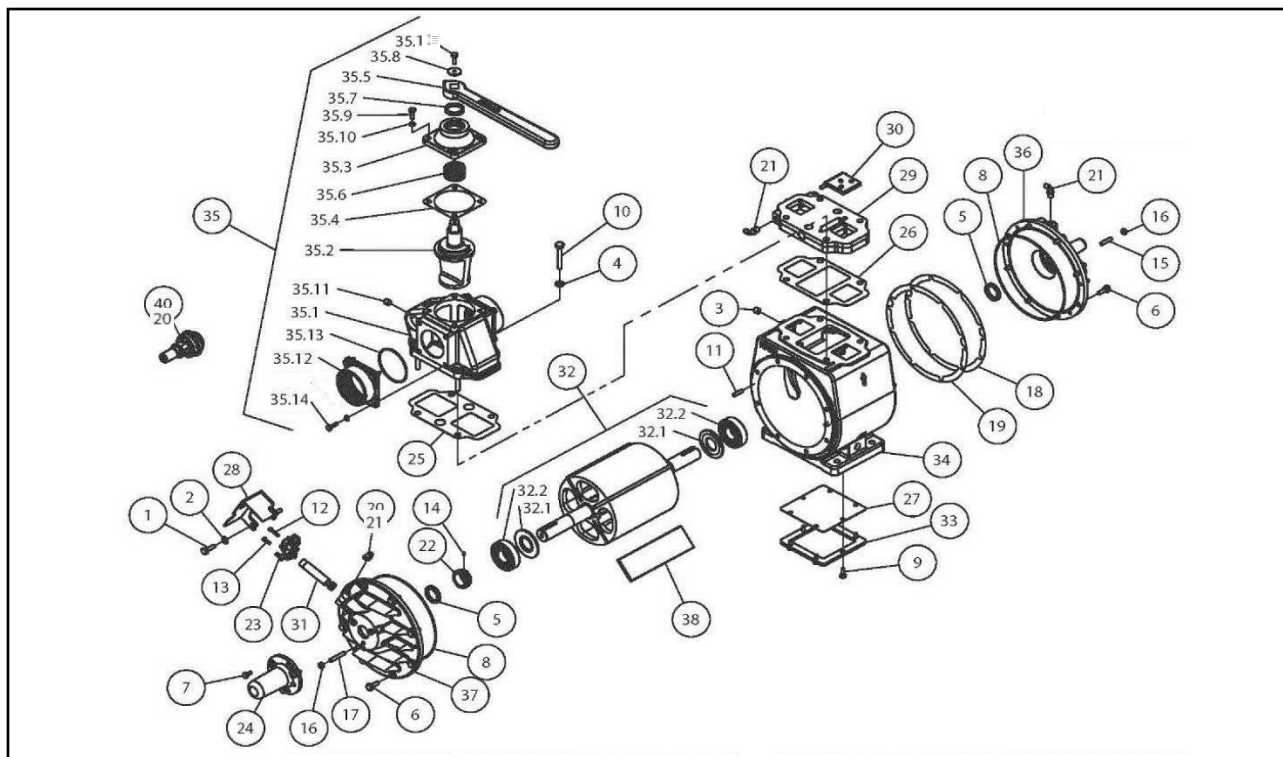


## HXL75WV:



Item	Description	Part No.	Qty
1	Screw M10 x 30	32307	2
2	Washer 3/8"	32508	2
3	Plug 1/4"	500100	1
4	Lockwasher M12	500203	4
5	Seal	501015	2
6	Screw M10 x 25	501569	14
7	Screw M8 x 16	501571	3
8	O-Ring	501677	2
9	Screw M8 x 20	501848	6
10	Screw M12 x 70	502024	4
11	Dowel Pin	503258	4
12	Screw M5 x 25	504261	1
13	Screw M5 x 16	504262	1
14	Grub Screw M5 x 6	504264	1
15	Grub Screw M8 x35	504276	3
16	Nut M12	504278	6
17	Grub Screw M8 x 50	504287	3
18	Shim Gasket .002"	542011	*
19	Shim Gasket .003"	542012	*
20	Vacuum Relief Valve	569023	1
21	Elbow Swivel 1/4" **	568086	4
22	Gear Worm	568158	1
23	Oil Pump	568437	1
24	Shaft Guard	568622	1
25	Valve Gasket	568610	1
26	Manifold Gasket	568703	1
27	Base Gasket	568708	1
28	Oil Pump Guard	568903	1

Item	Description	Part No.	Qty
29	Manifold	968011	1
30	Flap Assembly	968026	1
31	Drive Shaft Assembly	968045	1
32	Rotor Assembly	968614	2
32.1	Spacer	968611	1
32.2	Bearing	503098	1
33	Base	968707	1
34	Cylinder	968712	1
35	Valve Assembly	968753	1
35.1	Valve Body	969751	1
35.2	Valve Spool	968804	1
35.3	Valve Cap	968035	1
35.4	Valve Cap Gasket	568044	1
35.5	Valve Handle	968037	1
35.6	Valve Spring	568038	1
35.7	Seal	501015	1
35.8	Indicator Washer	569724	1
35.9	Screw M8 x 25	501598	4
35.10	Lockwasher M8	501610	12
35.11	Plug 1/4"	500100	1
35.12	Flange 3" NPT	969329	2
35.13	O-Ring	568222	2
35.14	Screw M8 x 25	501617	8
35.15	Screw M10 x 25	501569	1
36	End Cover	968843	1
37	End Cover Oil Pump	968854	1
38	Vane Pack	975539	1
39	Oil Line (Not Shown)	600293	1

\* Quantity may vary pump to pump

\*\* Pre-Serial Number PS0585: Item 21 was 3 x 568086 - Elbow Swivel 1/4" & 1 x 568085 - Elbow Swivel 1/8"