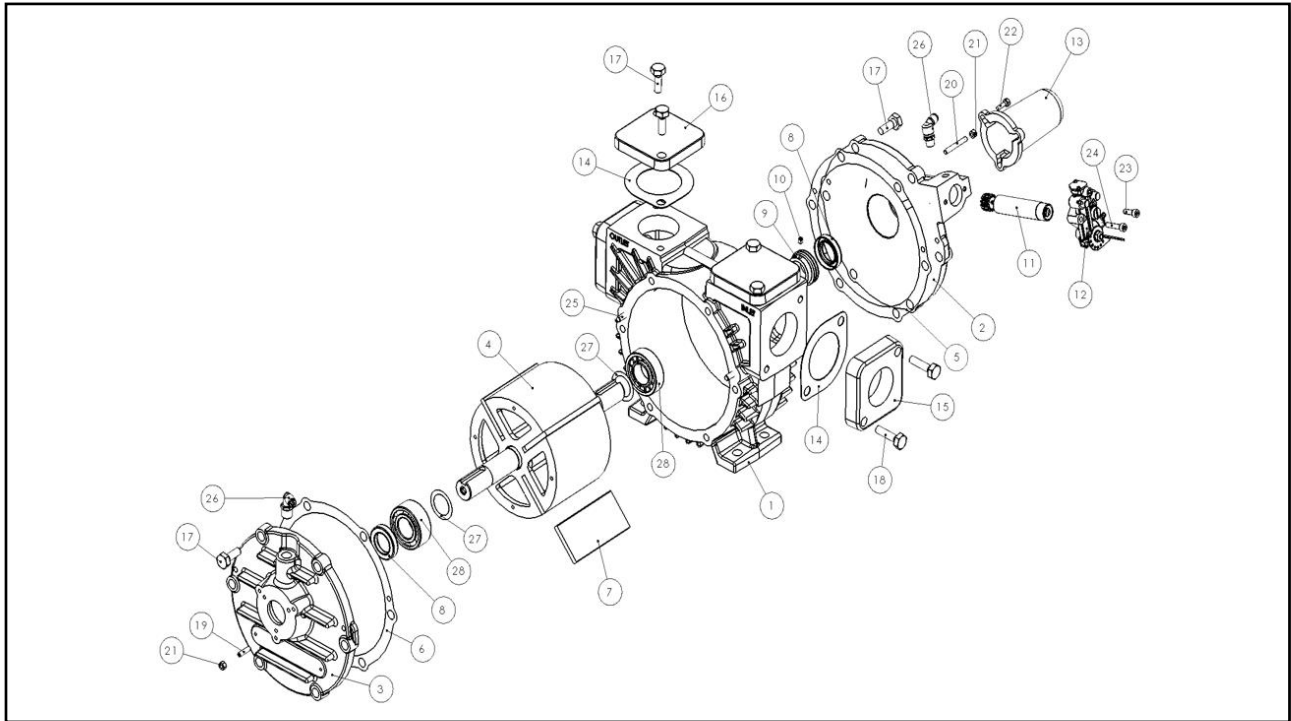


HXL2F – Serial Number Q06128 and Greater.

Bearing and Oil Pump End Cover Changed at Q06128



Item	Description	Part No.	Qty
1	Cylinder	975541	1
2	End Cover Oil Pump	969201	1
3	End Cover	968242	1
4	Rotor Assembly	968126	1
5	Shim Gasket 0.001"	575005	1
6	Shim Gasket 0.002"	575006	1
7	Vane Pack	975536	1
8	Seal	501578	2
9	Gear Worm	568071	1
10	Grub Screw M5 x 6	504264	1
11	Gear Shaft Assembly	968045	1
12	Oil Pump	575366	1
13	Shaft Guard	675264	1
14	Flange Gasket	36202	4
15	Flange 1 ½"	968159	2

Item	Description	Part No.	Qty
16	Flange Blank	975476	2
17	Screw M10 x 25	501569	16
18	Screw M10 x 35	501878	4
19	Grub Screw M5 x 20	503225	3
20	Grub Screw M5 x 40	503226	3
21	Nut M5	220221	6
22	Screw M5 x 16	503227	3
23	Screw M5 x 16	504262	1
24	Screw M5 x 25	504261	1
25	Dowel Pin	575111	4
26	Elbow Swivel 1/4" **	568086	2
27	Spacer	575131	2
28	Bearing	501577	2
29	Oil Line (Not Shown)	600293	*

* Quantity may vary pump to pump

** Pre-Serial Number P07044: Item 26 was 1 x 568086 - Elbow Swivel 1/4" & 1 x 568085 - Elbow Swivel 1/8"