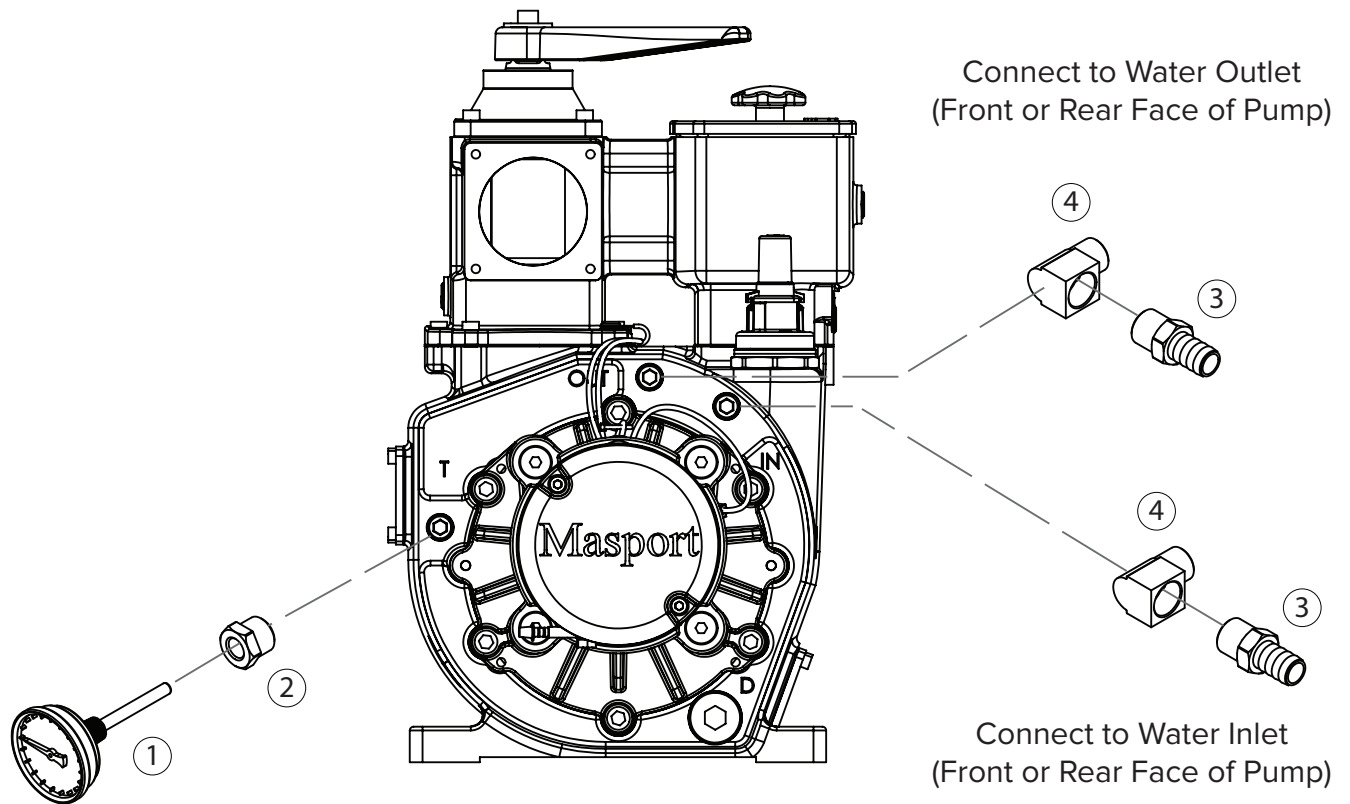


Thermometer Kit

Instructions



No.	Description	Code	Qty
1	Thermometer	21076	1
2	1/2" x 1/4" Bushing	27454	1
3	1/2" Hose Insert	27101	2
4	1/2" Elbow	27010	2

