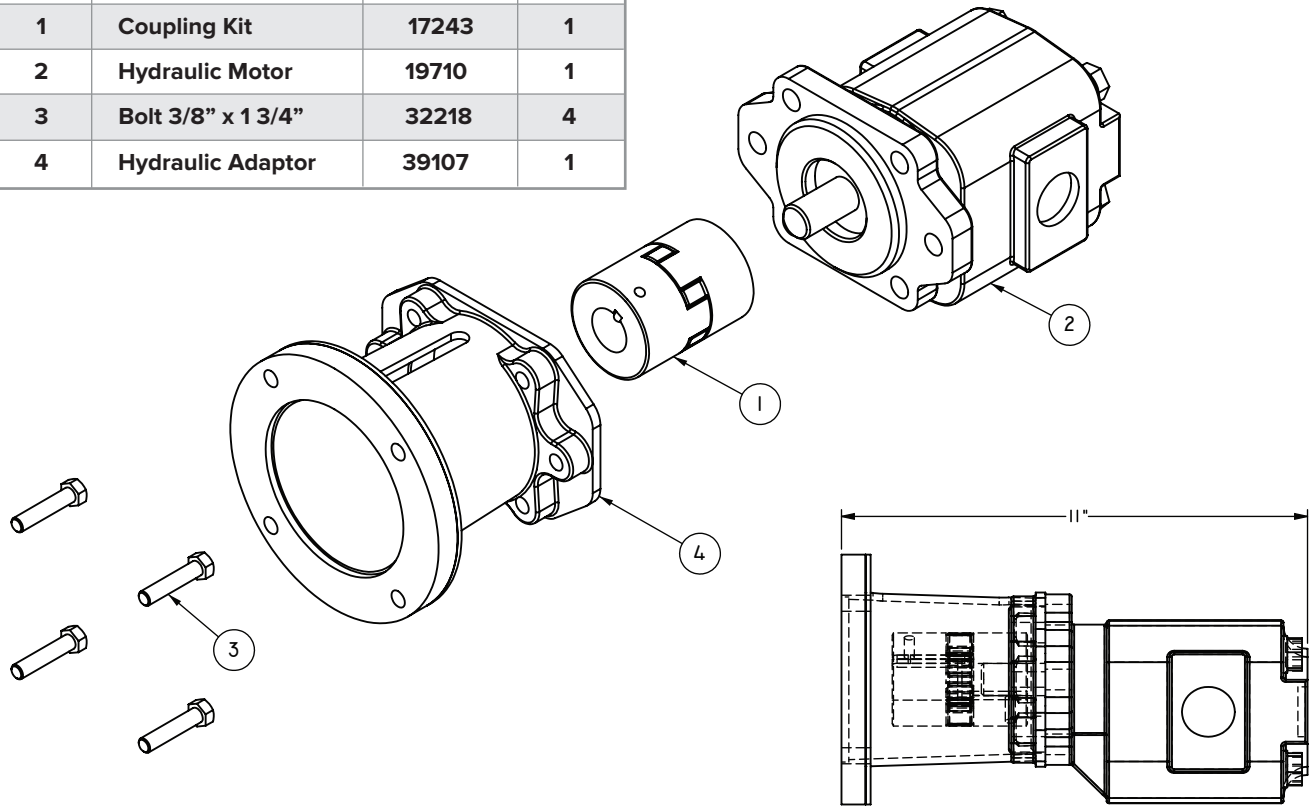


Hydraulic Kit

HXL4

Exploded View

No.	Description	Code	Qty
1	Coupling Kit	17243	1
2	Hydraulic Motor	19710	1
3	Bolt 3/8" x 1 3/4"	32218	4
4	Hydraulic Adaptor	39107	1



Installation and Operating Instructions

- ▶ Use longer bolts to mount Hydraulic Adaptor to Pump
- ▶ Torque mounting bolts to 40 Ft. Lbs
- ▶ Torque Coupler Set Screws to 25 Ft. Lbs
- ▶ Mounting Face SAE A

Pump	Hydraulic Kit	Pump RPM	Flow Rate	Port Size
HXL4	17916	1,100	7 GPM @ 2,000 PSI	3/4" JIC
HXL4	17916	1,225	8 GPM @ 2,000 PSI	3/4" JIC
HXL4	17916	1,400	9 GPM @ 2,000 PSI	3/4" JIC

